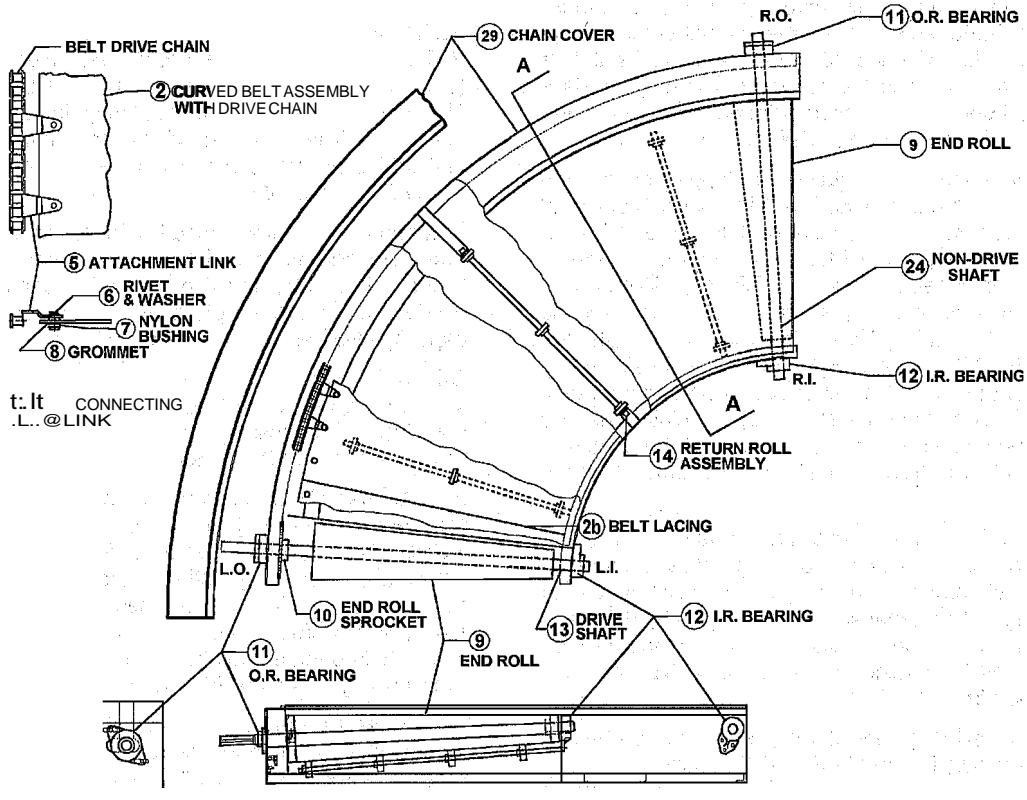
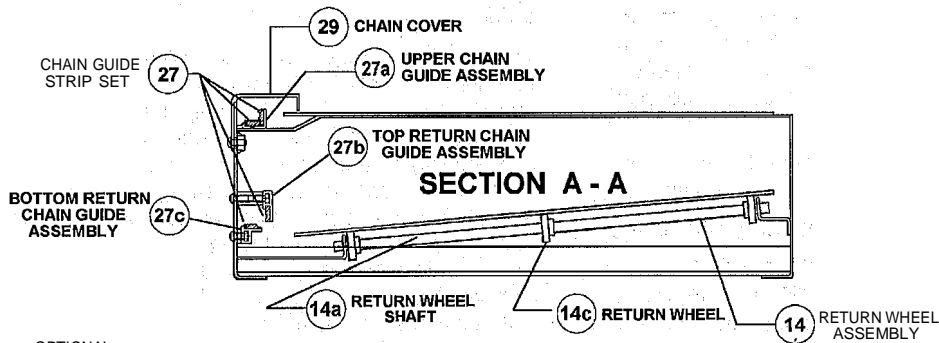


# Illustrated Parts Diagram – PorteC SG Belt Power Curve



DRIVE LOCATIONS: (LO SHOWN ABOVE)  
 LI = LEFT INSIDE                      I.R. = INSIDE RADIUS  
 ? = R    ? = E                      O.R. = OUTSIDE RADIUS  
 RO = RIGHT OUTSIDE



OPTIONAL  
 @BEDROLLIDLER  
 @OUTSIDE RADIUS SIDEGUARD  
 @INSIDE RADIUS SIDEGUARD

NOTE: THIS DRAWING IS APPLICABLE  
 TO ALL DEGREES OF ARC FOR  
 SIGMA CURVES.

RETURN WHEELS  
 STANDARD DESIGN SHOWN.  
 Q STRAIGHT RETURN  
 V SpWt AVAILABLE..