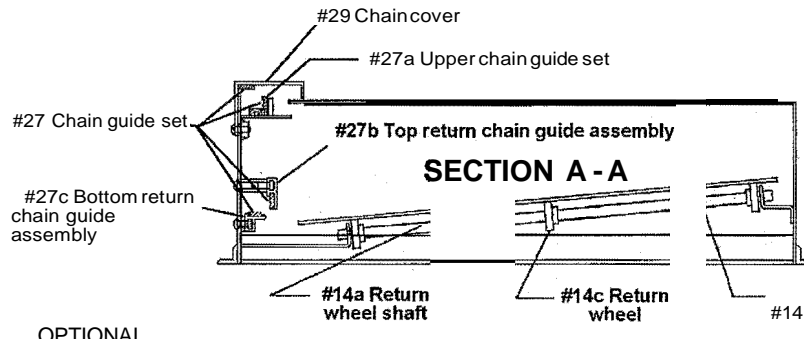
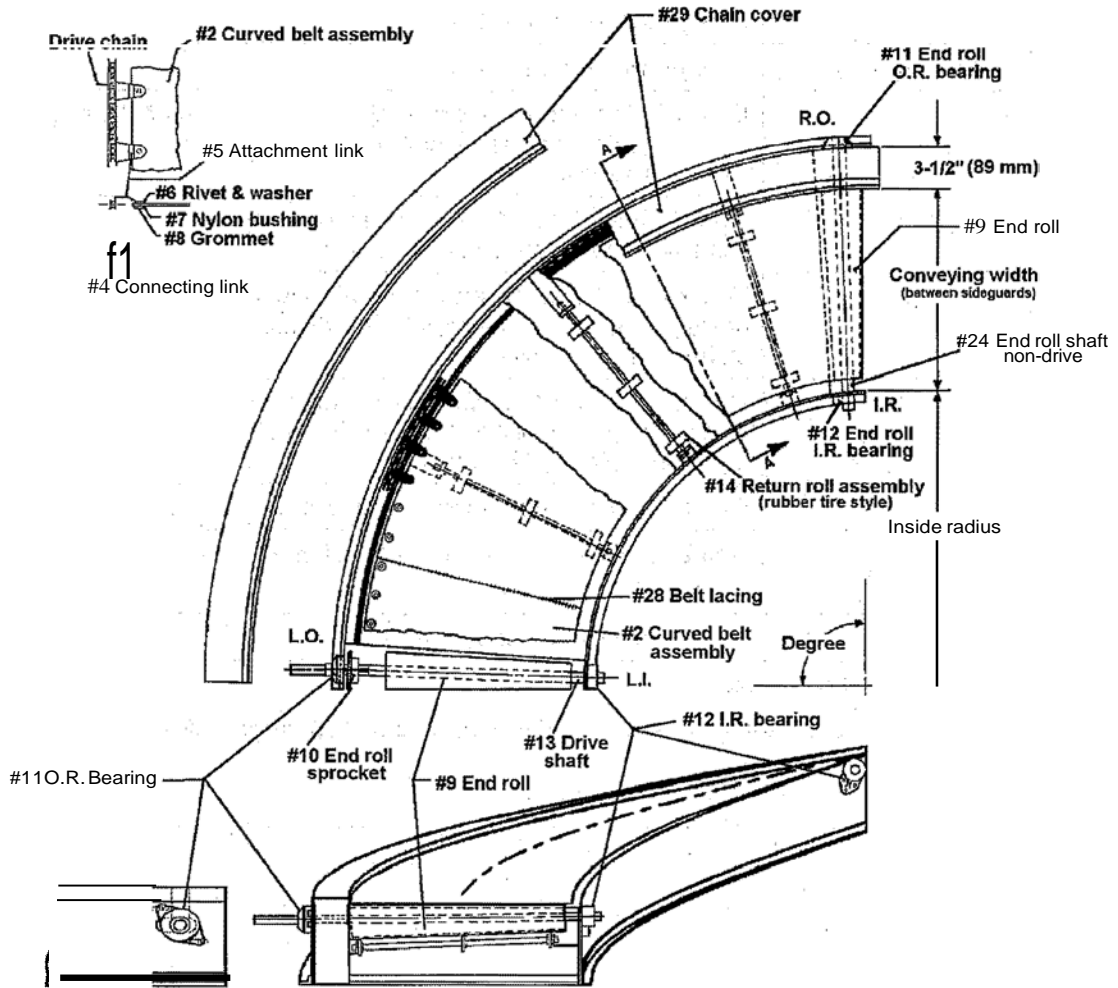


Illustrated Parts Diagram - Portec Spiral Curve



OPTIONAL
 #17 Bed idler roller
 #25 Outside radius sideguard
 #26 Inside radius sideguard

NOTE: THIS DRAWING IS APPLICABLE TO ALL DEGREES OF ARC FOR SPIRAL CURVES.

Return wheels shown
 #14b Straight return rolls are available as an option